

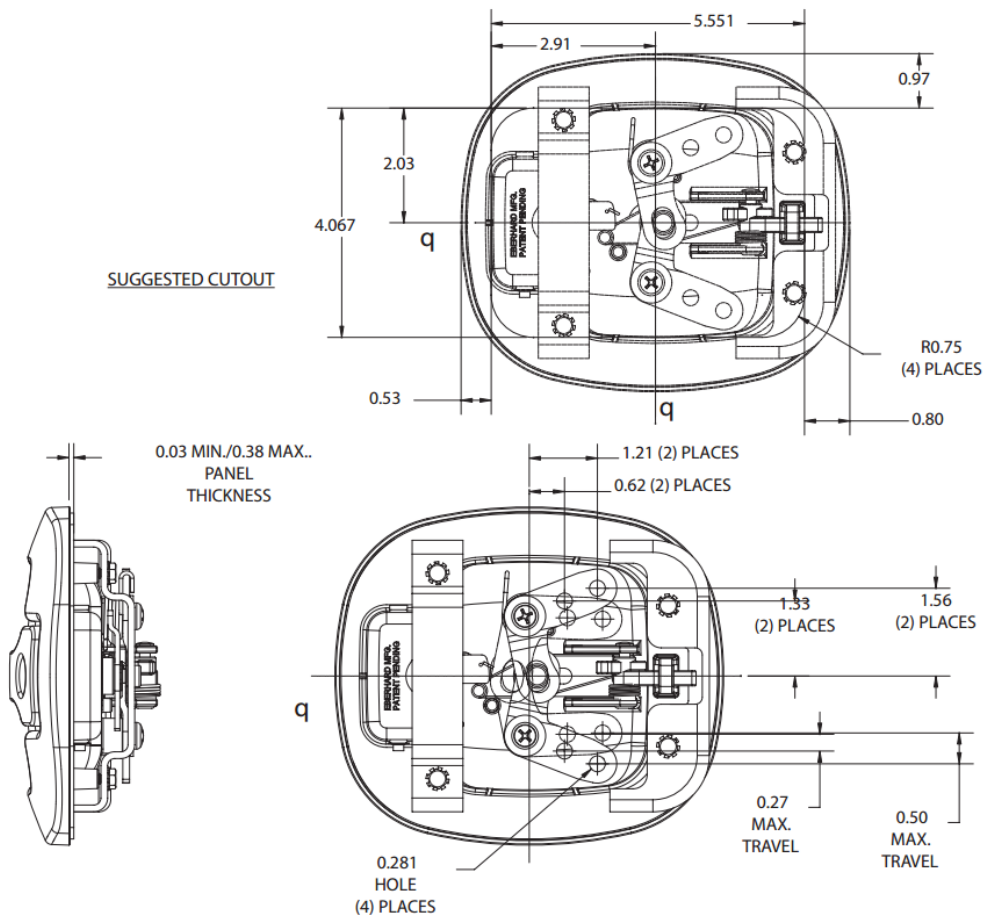
## 21100 Two Point E Grabber Latch Actuator

### Features

- This 2-point locking pull handle assembly made of die cast materials is ideal for compartment doors on vehicles with its large easy-to-use handle
- Assembly includes a double-bitted key cylinder in locking versions, factory installed receptacle gasket, free-wheeling feature, water resistant, and blind mounting brackets for security and appearance
- Horizontal mount can be connected to inside handle

### Material

- Available with chrome handle or receptacle, black powder coated handle or receptacle, textured black powder coated handle or receptacle, or combination of above finishes



Part No.	Type
3-21100	Non Locking
3-21100-K	Key Locking

Dimensions in inches